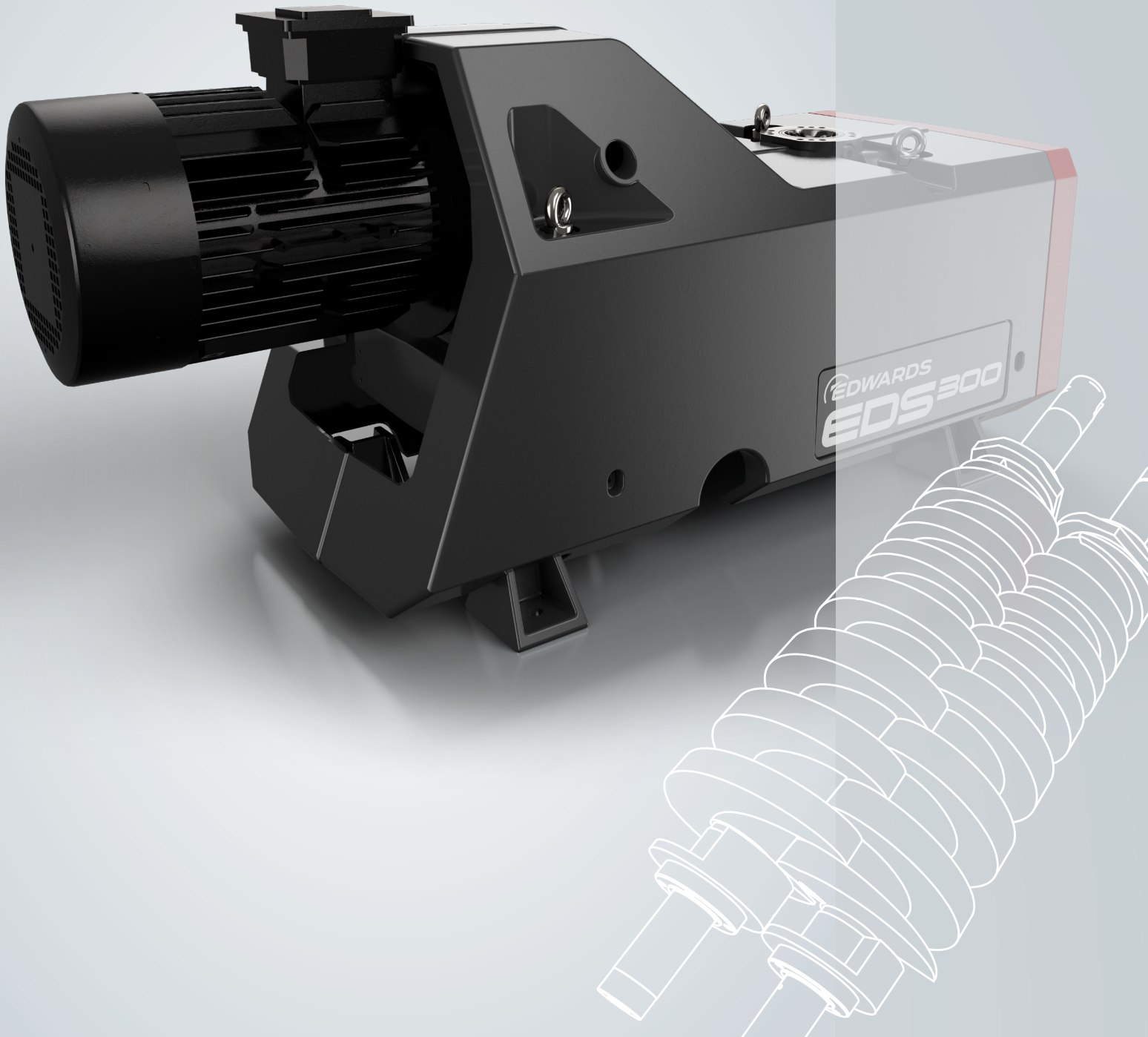


EDS Series Dry Screw Vacuum Pumps

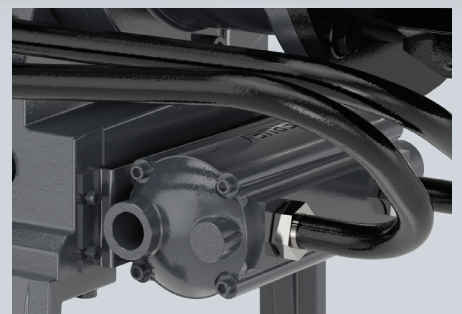
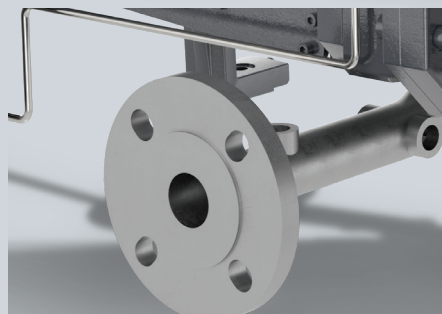
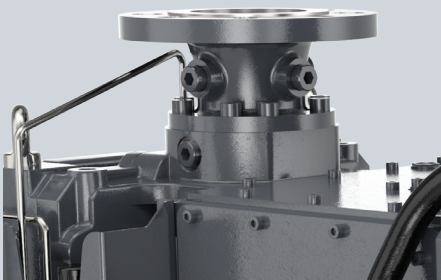
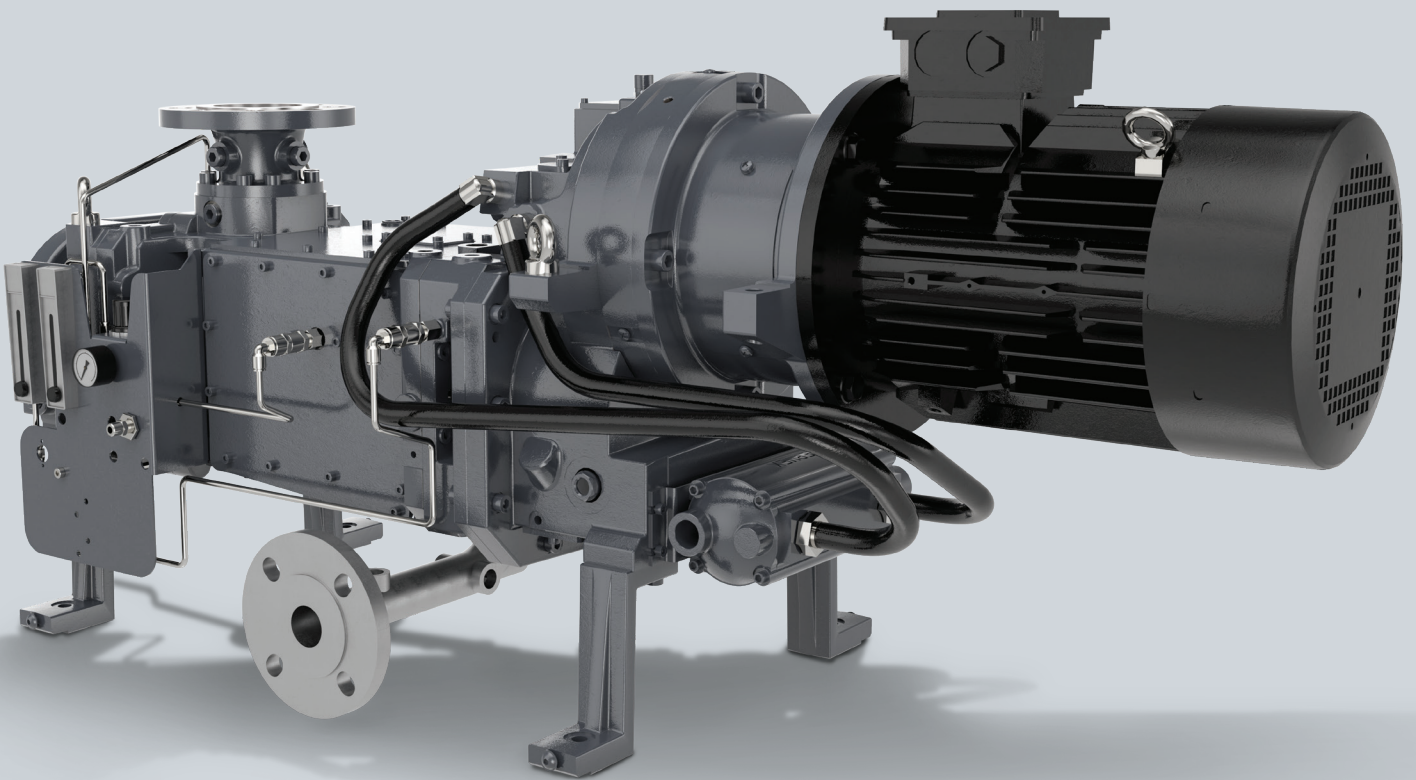
 **EDWARDS**



EDWARDS THE PARTNER OF CHOICE

Edwards is a world leader in the design, technology and manufacture of vacuum pumps for industrial applications with over 95 years' history.

We believe in delivering results that bring value to our customers by using our breadth of industry experience to identify and apply solutions. Using the most innovative and up-to date modelling techniques, we can optimise the pumping configuration for customers to provide a system design giving the maximum performance in the most reliable and cost-effective way.



State-of-the-Art Technology Made Simple

Edwards' new range of EDS dry screw pumps features an innovative design which creates a new benchmark in the screw pump market. An intricate piece of engineering, built to the exacting standards and quality demanded by our customers, the new dry screw pump provides you with a trouble-free and cost-effective solution to meet your needs.

Water-cooled, the EDS range is robust and efficient. Its second-to-none contaminant handling capability in the harshest industrial and chemical conditions make these pumps the smart choice for your industry. Cool and simple, easy to service, high speed, the EDS vacuum pumps offers all the extra performance you need for the harshest and toughest industrial and chemical applications.



EDS Dry Vacuum Pump Features:

- Plug and Play system
- Innovative and sturdy screw design
- Tapered variable pitch dry screws
- High speed operations
- Unparalleled uptime
- Quick pump downtimes
- Robust water cooling system
- High tolerance for particulates
- Air blast cooling variant option available
- Closed loop liquid cooling system
- Safe and flexible for chemical processing industry
- Configured for hazardous area installations
- Certified for global explosion standards

Pump Technology

SIMPLE

Industry leading state of the art screw vacuum technology simply packaged

- **Trouble free peace of mind:** ease of installation, systemisation, support and service
- **Pumping:** designed to be simply reliable

FASTER

Extra performance to meet modern day technologies

- **Quick pump down times:** higher roughing speeds get the job done quicker
- **High pumping speeds:** gives more throughput where it matters

FLEXIBLE

Designed for a changing global market

- **Safe and compliant:** easily configured for hazardous area installations
- **Engineer To Order:** basic modular building blocks for special pumping systems

PROCESS CAPABLE

Mechanism proven in the most demanding applications

- **Extended MTBS:** purge protection options to prolong life on harsh processes
- **Increased Process Uptime:** survives process mishaps and contaminant ingestion

ROBUST

A truly industrial machine for the most challenging installations

- **Installation options:** highly tolerant water cooled and air blast cooled standard products
- **Protection:** High IP ratings and easily cleanable protective canopies

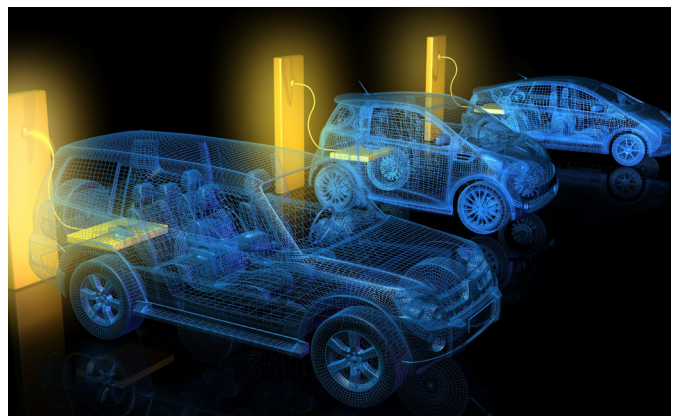
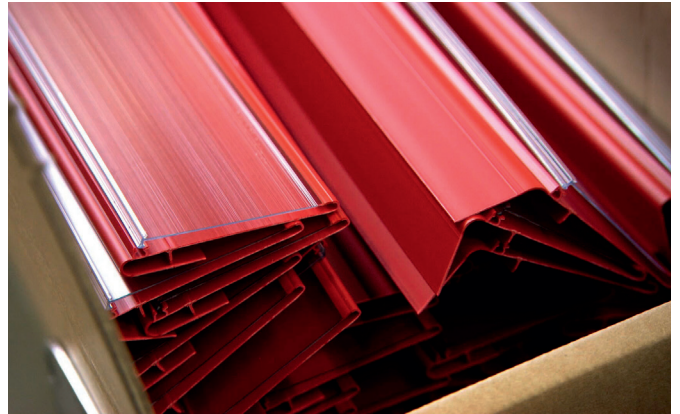


Air cooled variant

Applications

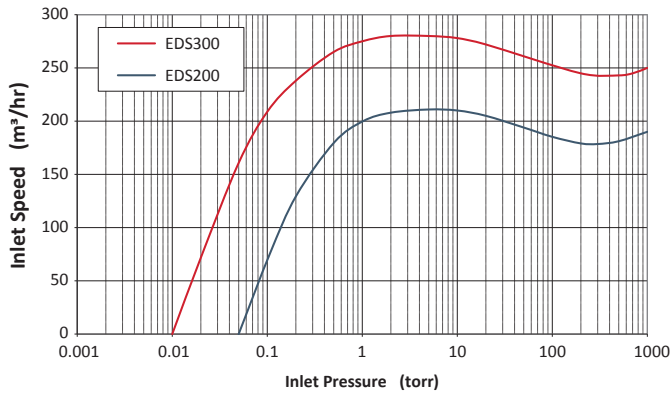
The EDS range is suitable for a range of applications in various industries including:

- Lithium Ion Batteries
- Freeze Drying
- Solar Cell Manufacturing
- Fine Chemicals
- Thin Film Deposition
- Pharmaceuticals
- Automotive Coating
- Industrial Glass Coating
- Heat Treatment
- Brazing
- Plastic Extrusion

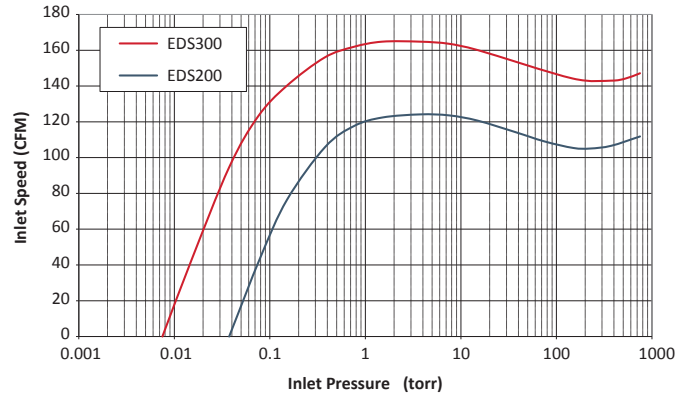


Performance curves

EDS 200-300 (Metric)



EDS 200-300 (Imperial)

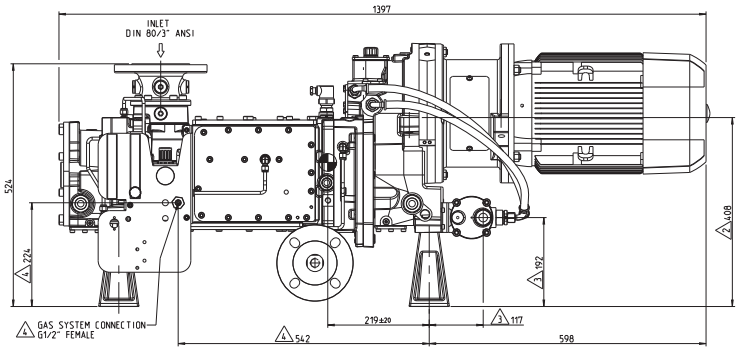
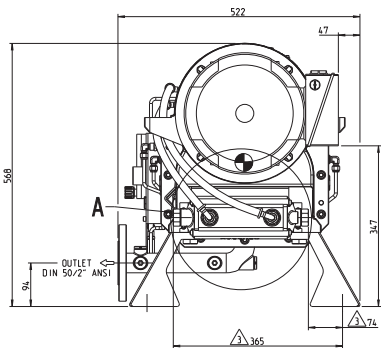


Technical Specifications

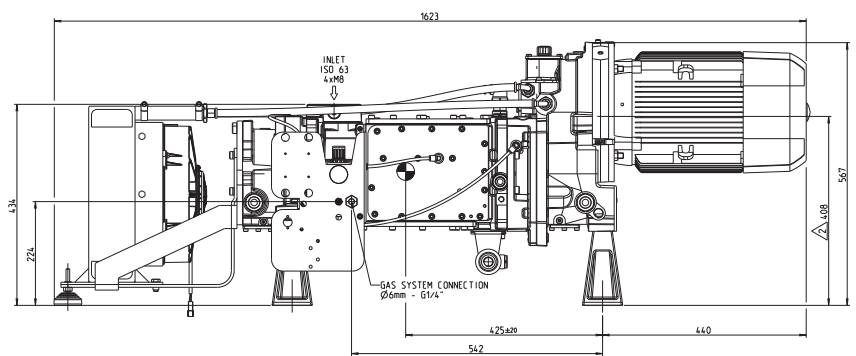
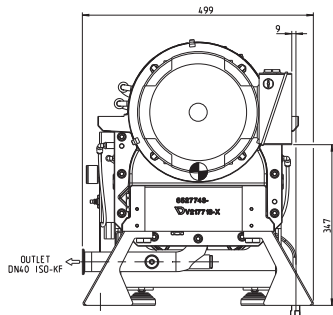
			Metric						Imperial						
			Water Cooled		Air Cooled		Chemical		Water Cooled		Air Cooled		Chemical		
			200	300	200	300	200	300	200	300	200	300	200	300	
Performance	Peak Pumping Speed	m ³ h ⁻¹	210	>280	210	>280	210	>280	CFM	124	>165	124	>165	124	>165
	Ultimate Pressure	mbar	<0.05	<0.01	<0.05	<0.01	<0.05	<0.01	Torr	<0.04	<0.008	<0.04	<0.008	<0.04	<0.008
Full Load Power	@ ultimate pressure	kW	4.1	4.5	4.1	4.5	4.1	4.5	hp	5.5	6	5.5	6	5.5	6
	@ peak pumping load	kW	6.4	8.2	6.4	8.2	6.4	8.2	hp	8.6	11	8.6	11	8.6	11
Vacuum Connections	Inlet connection		ISO63				DIN80/3"ANSI								
	Exhaust connection		NW40				DIN50/2"ANSI								
Cooling Water	Connection		G1/2" female			G1/2" female									
	Flow	lmin ⁻¹	<8			<8									
	Supply pressure (max)	bar	7			7									
	DP across pump (min)	bar	0.5			0.5									
	Temperature	°C	5-40			5-40									
Purge Gas	Connection		G1/4" female threads												
	Pressure	bar	2.5-6.9												
	SSP flow	lmin ⁻¹	<12												
	Gas Ballast flow*	lmin ⁻¹	0-50												
Operating data	Noise	dB(A)	<76												
	Operating Temperature	°C	5-40		5-40		-20-40		°F	41-104		41-104		-4-104	
	Exhaust Back Pressure (Max)**	mbar	1200						psia	17.4					
	System IP rating		IP54							IP54					
	Lubrication		Ultragrade Kinetic 150							Ultragrade Kinetic 150					

Dimensions

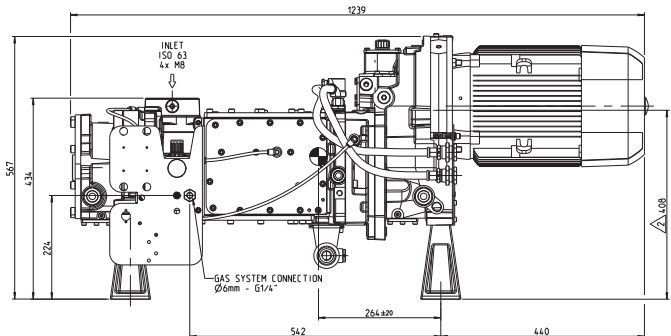
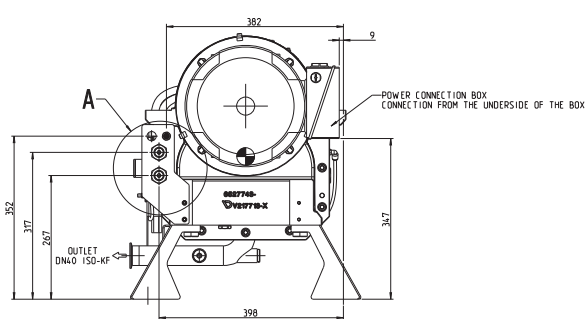
EDS Chemical Indirect Water Cooled



EDS Industrial Air Blast Cooled



EDS Industrial Direct Water Cooled





LOCAL & GLOBAL CONTACTS

Publication Number: 3602 104 8 01
 © Edwards Limited 2020. All rights reserved
 Edwards and the Edwards logo are trademarks of
 Edwards Limited

Whilst we make every effort to ensure that we
 accurately describe our products and services,
 we give no guarantee as to the accuracy or
 completeness of any information provided in
 this brochure.

Edwards Ltd, registered in England and Wales
 No. 6124750, registered office: Innovation Drive,
 Burgess Hill, West Sussex, RH15 9TW, UK.

Part of the Atlas Copco Group

Poland		Israel	+ 972 8 681 0633
Artur Ginalski	+48 734 474 189	Middle East & Africa	+420 533 441 045
	artur.ginalski@edwardsvacuum.com	ASIA PACIFIC	
Eastern Europe		China	+86 400 111 9618
	+420 (0) 533 441 045	India	+91 20 4075 2222
	ExportSales@edwardsvacuum.com	Japan	+81 47 458 8836
Rest of EMEA		Korea	+82 31 716 7070
UK	+44 1444 253 000	Singapore	+65 6546 8408
	08459 21 2223	Taiwan	+886 3758 1000
BeNeLux	+44 1293 60 3350	AMERICAS	
France	+33 1 4121 1256	USA	+1 800 848 9800
Germany	0800 000 1456	Brazil	+55 11 3952 5000
Italy	+ 39 02 48 4471		